

CABINET DOOR SETS



ENGINEERED TO PERFORM

1 SET OF 4 INSERT CUTTERS WILL GET YOU INTO THE CABINET DOOR BUSINESS.

Each tool is engineered to hold several different profiled inserts to give you flexibility in designing your combination of Cope, Rail, and Panel for each door.

Because they are made with precision ground inserts your fit will always be as tight and precise as the first door you made. No re-sharpening ever and since we use the optimum grades of carbide your tools will last a long time.

ROYCE // AYR

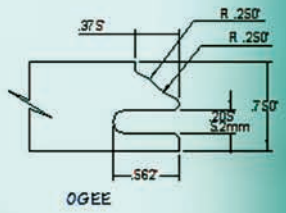
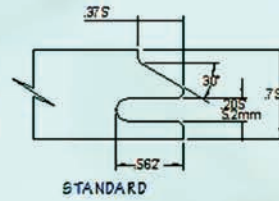
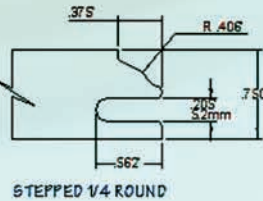
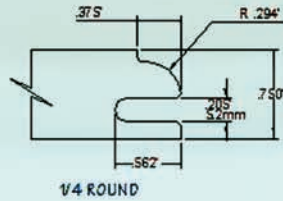
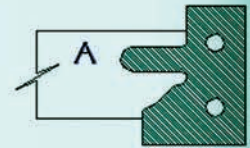
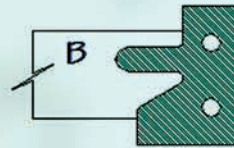
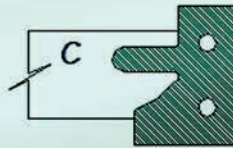
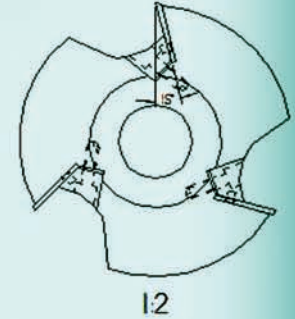
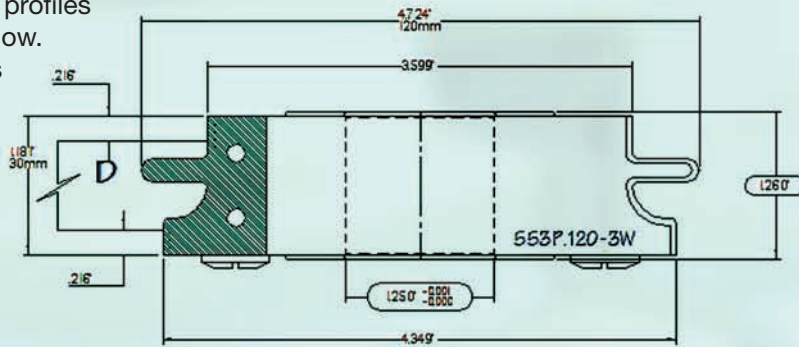
Cutting Tools Inc.

always in top form

Rail Profiles

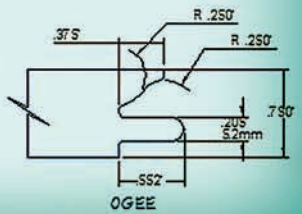
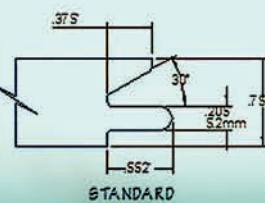
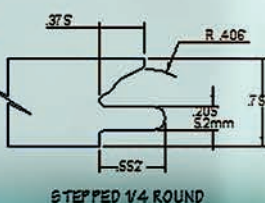
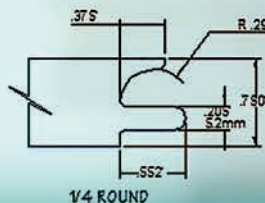
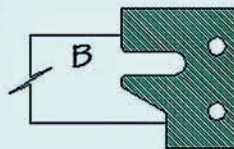
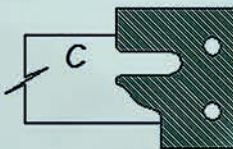
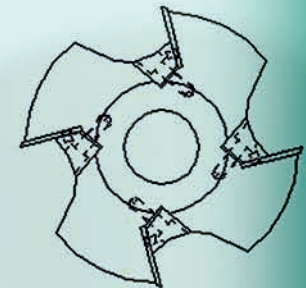
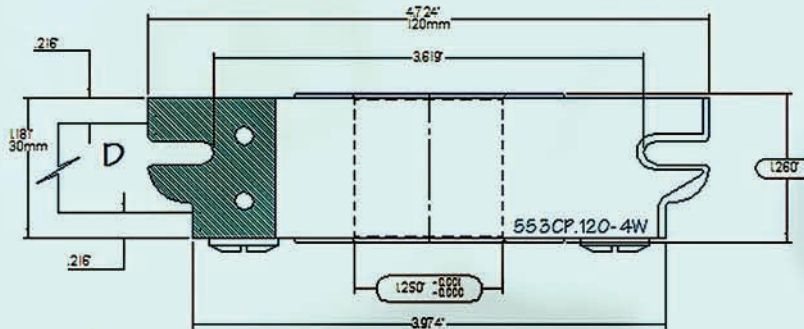
ENGINEERED TO PERFORM

Run 4 different rail profiles to fit the copes below. Made with 3 wings for clean sand free finish cut.



Cope Profiles

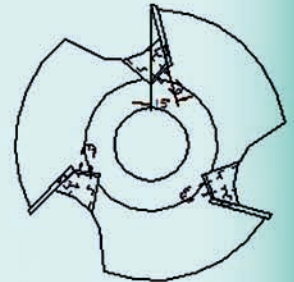
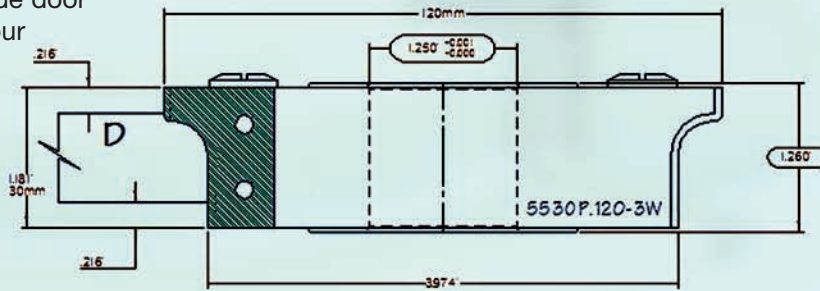
4 wing cutters in 4 profiles to do your copes. We make them 4 wing to get a nice clean finish across the grain.



ENGINEERED TO PERFORM

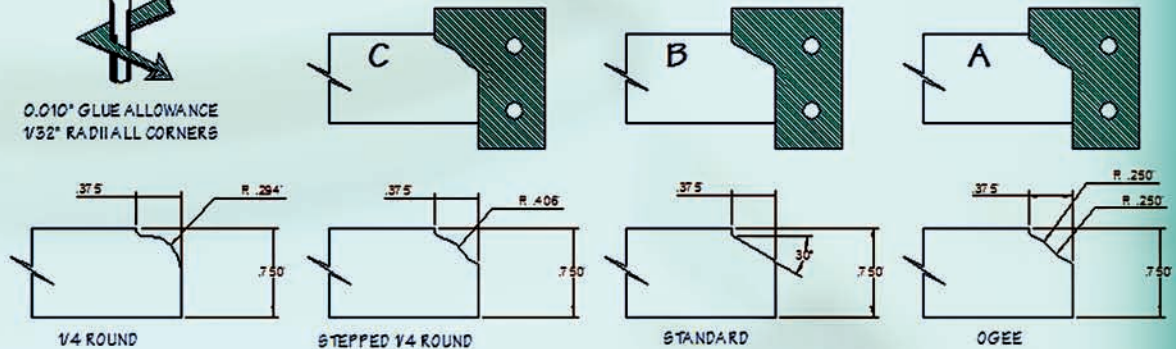
Outside Profiles

Choice of 4 outside door profiles to give your door a distinct appearance. You can change the style quickly by just exchanging the knives.



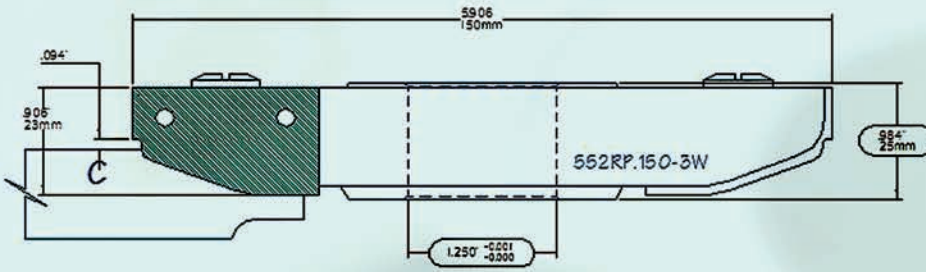
1:2

0.010° GLUE ALLOWANCE
1/32° RADIALL CORNERS

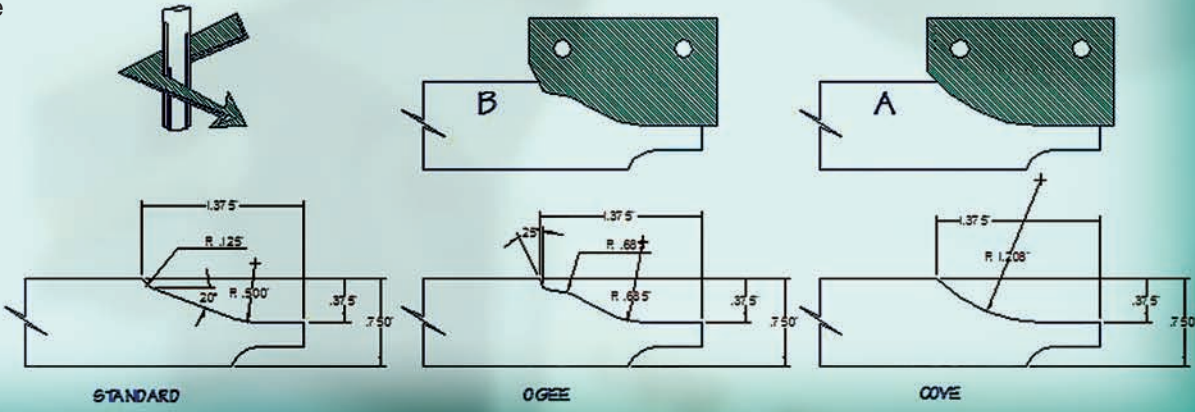


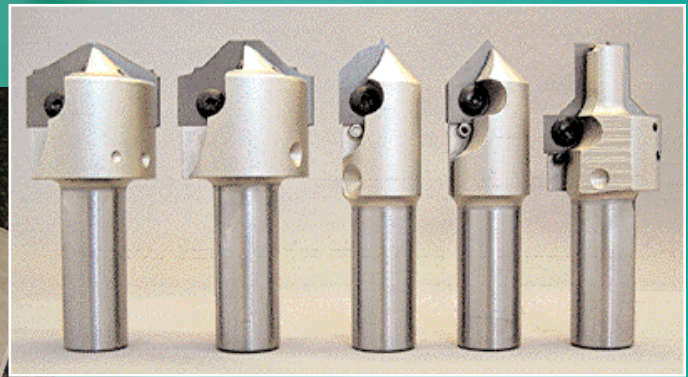
Raised Panel Profiles

3 different styles of panels on the same cutter and if you want to do the undercut as shown all you need is 1 more tool for straight doors or 2 tools if you want to make arched doors.



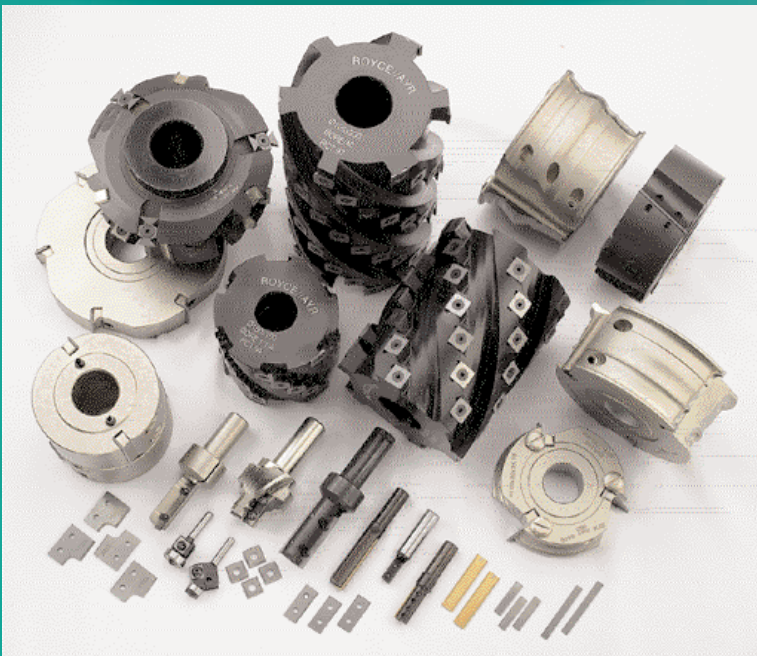
1:4





**OTHER ROYCE//AYR
DOOR PRODUCTS:**
Insert router bit sets for
MDF doors also available
in PCD-Diamond.

OTHER ROYCE//AYR INSERT PRODUCTS:
Call us for insert tooling for any other operation
you may do. We build tooling for moulders,
shapers, tenoners and a variety of specialized
woodworking machines.



Strategically
Located In



Canada's
Technology
Triangle



ISO 9001:2000
registered

ROYCE//AYR

Cutting Tools Inc.

405 Sheldon Drive
Cambridge, ON, N1T-2B7, Canada

6391 Walmore Road
Niagara Falls, NY, 14304, USA

Phone: 800 959 5641

Fax: 519-623-9371

Email: sales@royceayr.com

Website: www.royceayr.com

always in top form

**ENGINEERED TO
PERFORM**