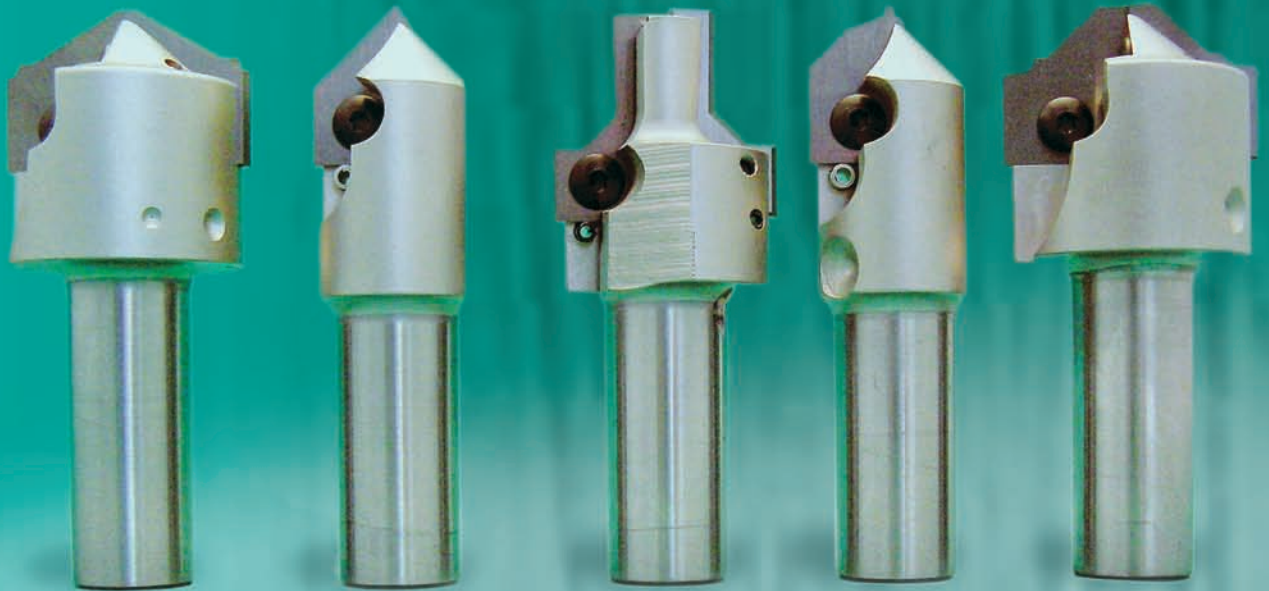


ENGINEERED TO PERFORM

Royce//Ayr is now producing insert router bit sets to machine MDF doors. For years we have been manufacturing these tools in PCD-Diamond with excellent results and our customers have been very happy with the quality profiles produced, as well as the durability of the diamond tool.

Now, to give you more flexibility and increase production, we have designed sets of insert router bits which allow for several different profiles by changing only the insert on the tool body. You can now produce any of the shown profiles for the inside of the door and match it to an outside profile of your choosing.

We help you to be innovative and at the same time keep your cost to a minimum.

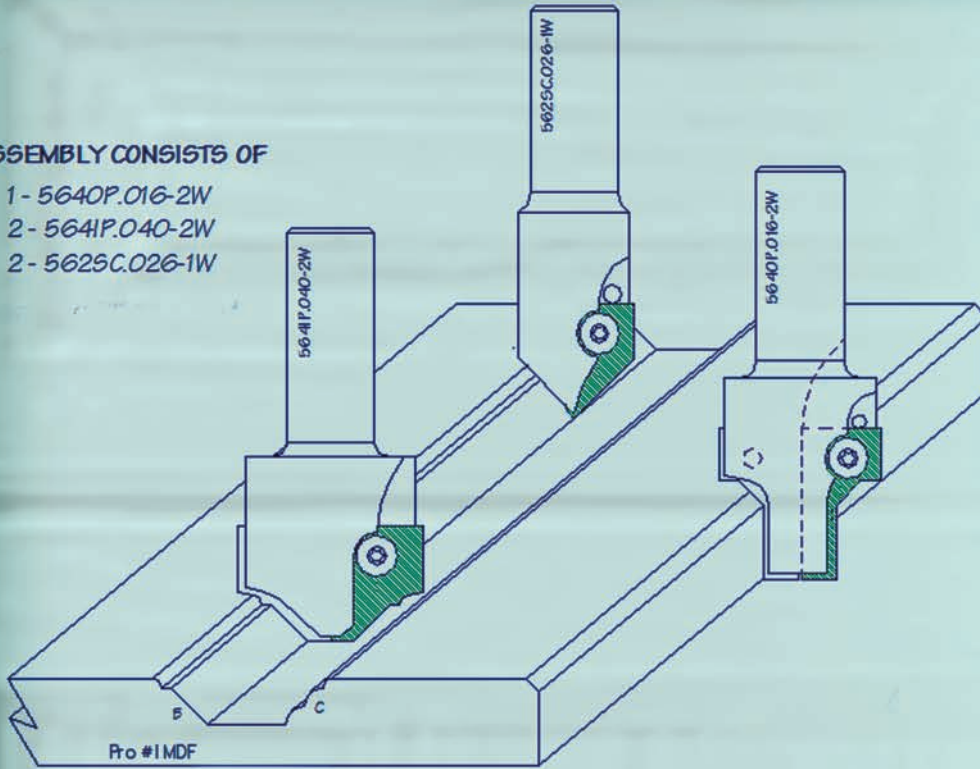


ROYCE//AYR

Industrial Cutting Tools Inc.

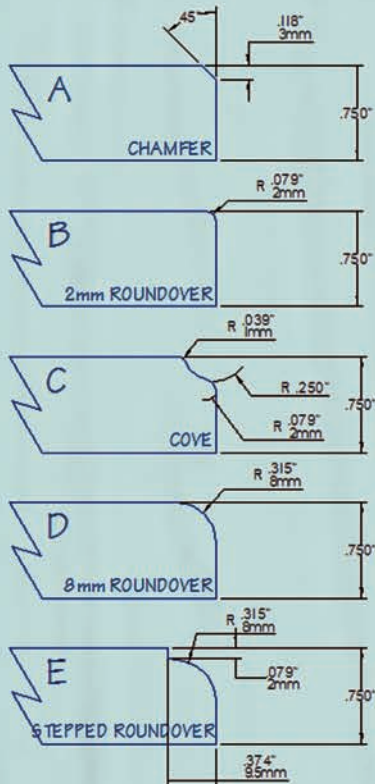
1 ASSEMBLY CONSISTS OF

- 1 - 5640P.016-2W
- 2 - 5641P.040-2W
- 2 - 5625C.026-1W



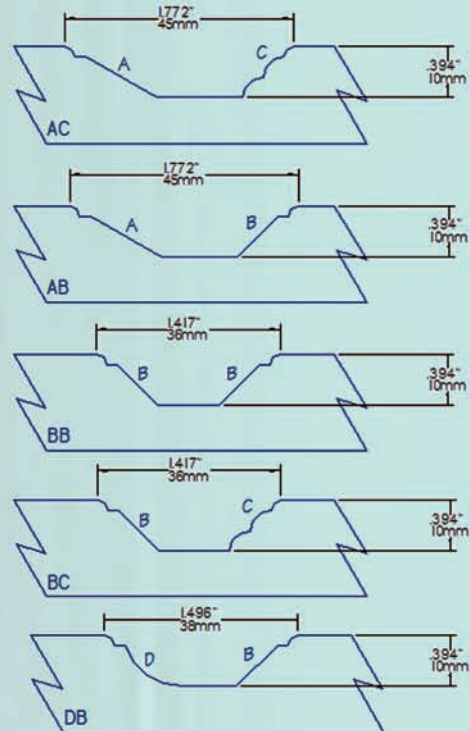
The inserts are easily exchanged and the time it takes to change the complete look of a door is minimal.

Repeatability is guaranteed because replaceable knives are always profiled the same.

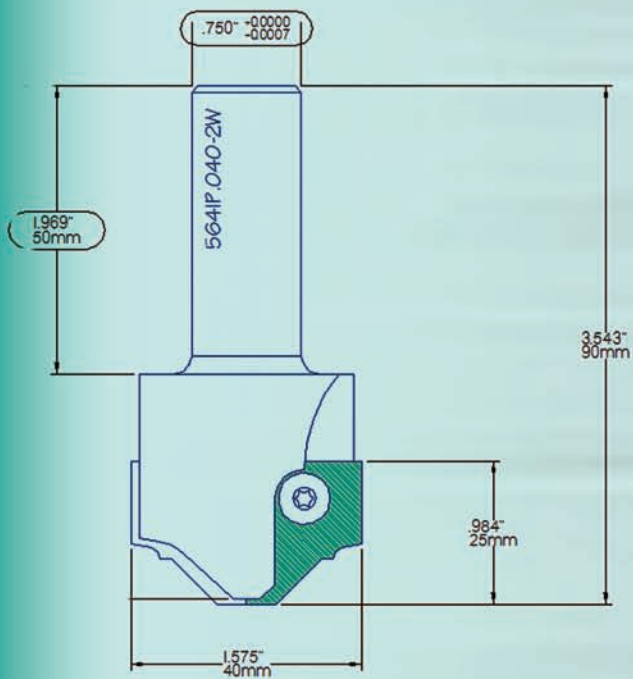


Examples of your possibilities

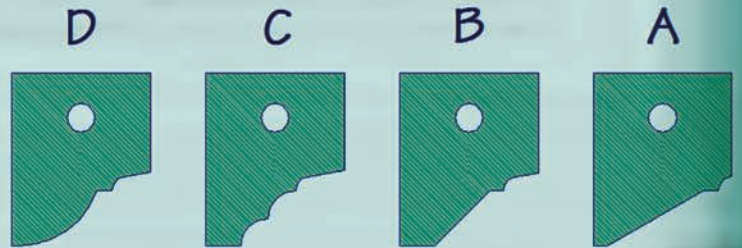
SAMPLE PROFILES



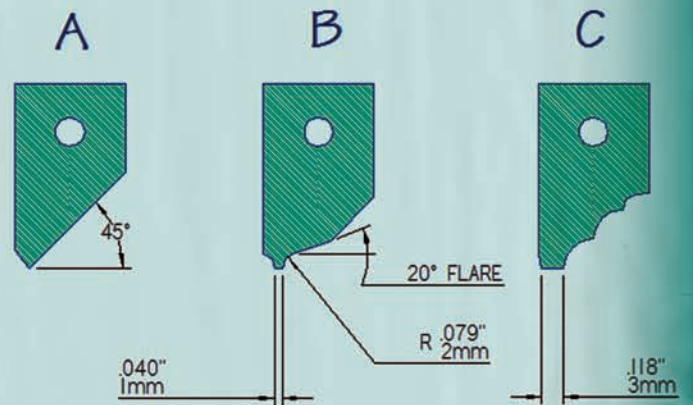
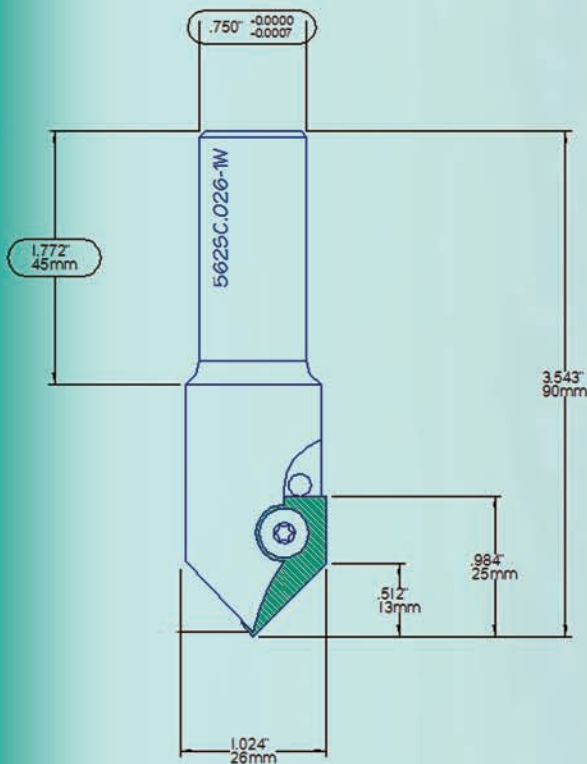
ENGINEERED TO PERFORM



4 inside profiles help you create the panel look you want and the ability to change the look by simply changing 1 of the inserts.



FOR SQUARE CORNER DOORS

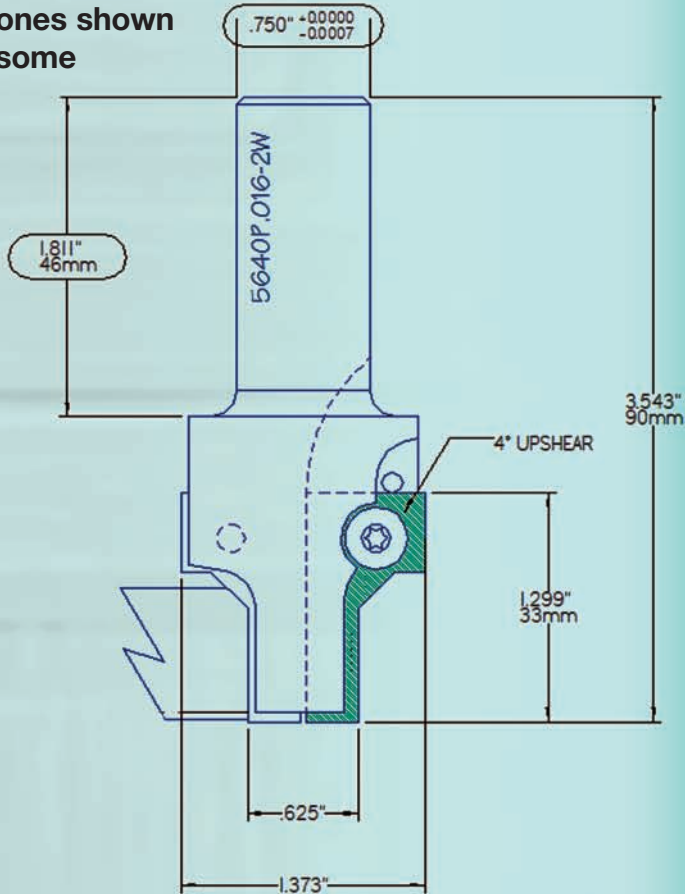
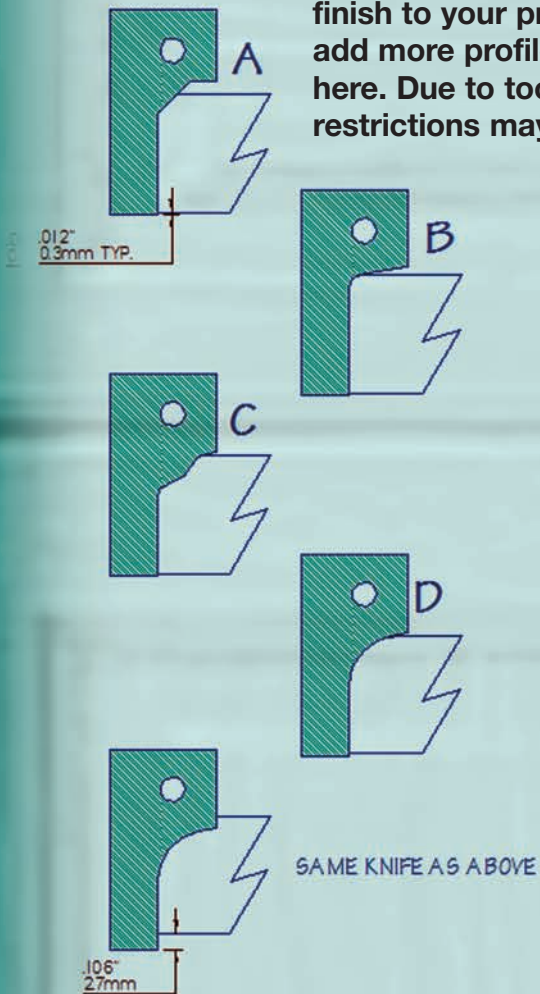


To make the tools more versatile we have designed several inserts to fit the same tool giving you the flexibility to mix and match profiles.

Above you see the small finishing tool to clean out the corners for a clean square panel look.

ENGINEERED TO PERFORM

You can use four outside profiles to finish to your preferred style. We can add more profiles to the ones shown here. Due to tool design some restrictions may apply.



**ENGINEERED TO
PERFORM**

For more information and pricing call our toll free number, e-mail or fax to the address below.

ROYCE//AYR

Cutting Tools Inc.

405 Sheldon Drive, Cambridge, ON, N1T-2B7, Canada
6391 Walmore Road, Niagara Falls, NY, 14304, USA

Phone: 800 959 5641

Fax: 519-623-9371

Email: sales@royceayr.com

Website: www.royceayr.com

Strategically
Located In



Canada's
Technology
Triangle



**ISO 9001:2000
registered**