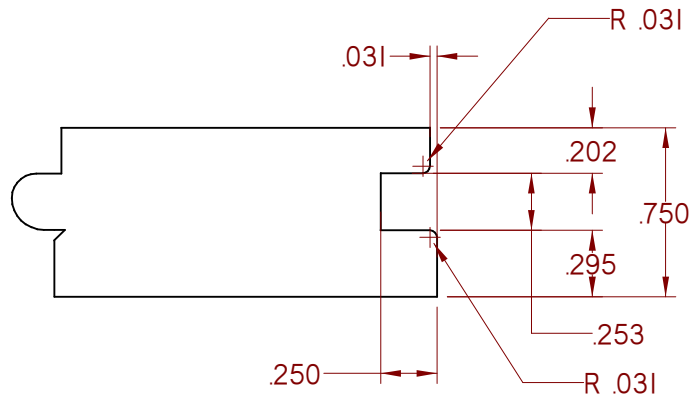


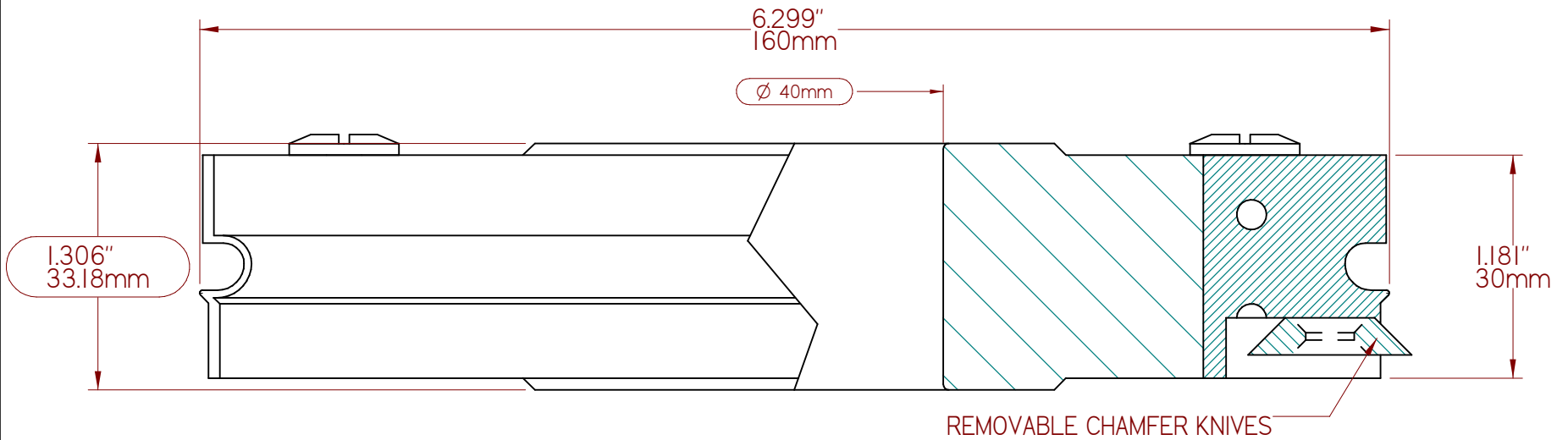
REMOVABLE CHAMFER KNIVES



Cutters machined with 2 sets of
 chamfer knife pockets
 (1 set for 0.040" bevel and
 1 set for 0.125" bevel)

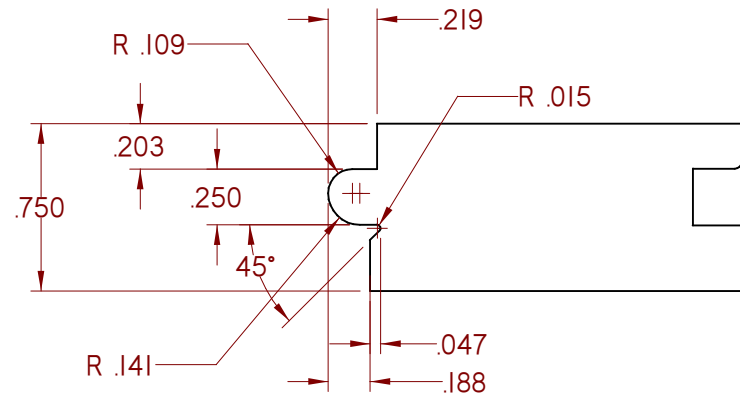
BOTH ROTATIONS AVAILABLE

FLOORING CUTTERHEAD - NOFMA PROFILE - 538.160.030TFD



Cutters machined with 2 sets of
 chamfer knife pockets
 (1 set for 0.040" bevel and
 1 set for 0.125" bevel)

BOTH ROTATIONS AVAILABLE



FLOORING CUTTERHEAD - NOFMA PROFILE - 538.160.030GFD