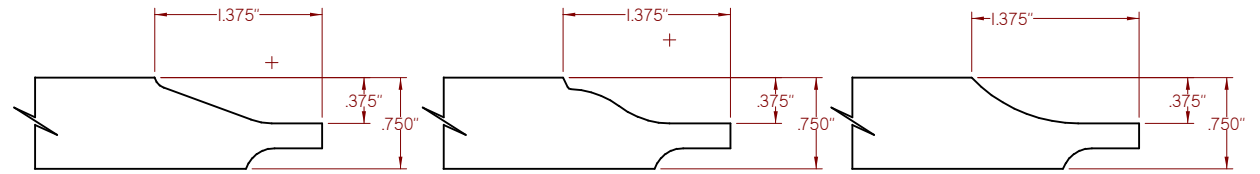


INSERT CABINET DOOR SET

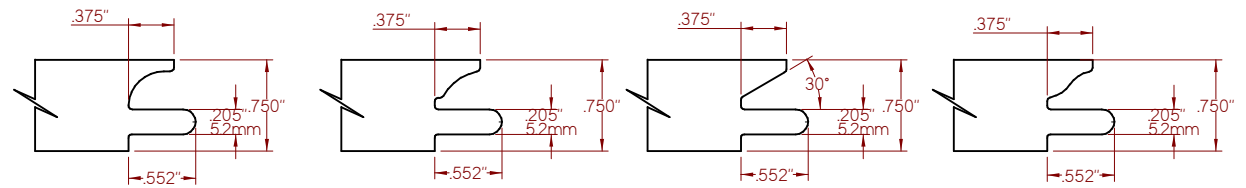
PROFILES AVAILABLE:



STANDARD

OGEE

COVE

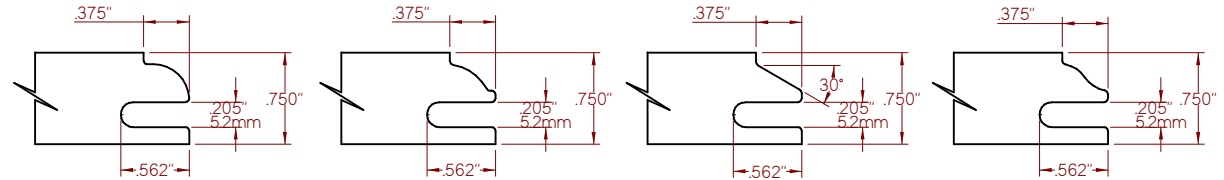


1/4 ROUND

STEPPED 1/4 ROUND

STANDARD

OGEE

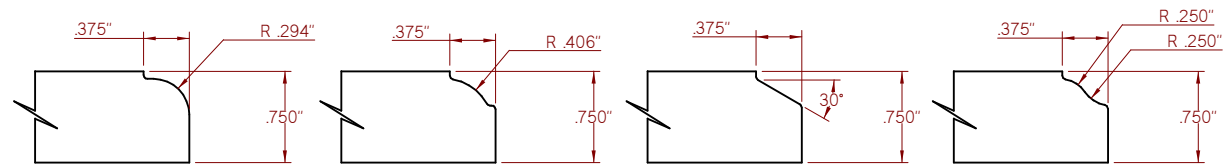


1/4 ROUND

STEPPED 1/4 ROUND

STANDARD

OGEE

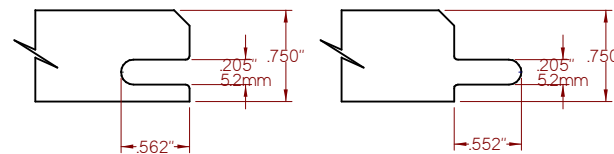


1/4 ROUND

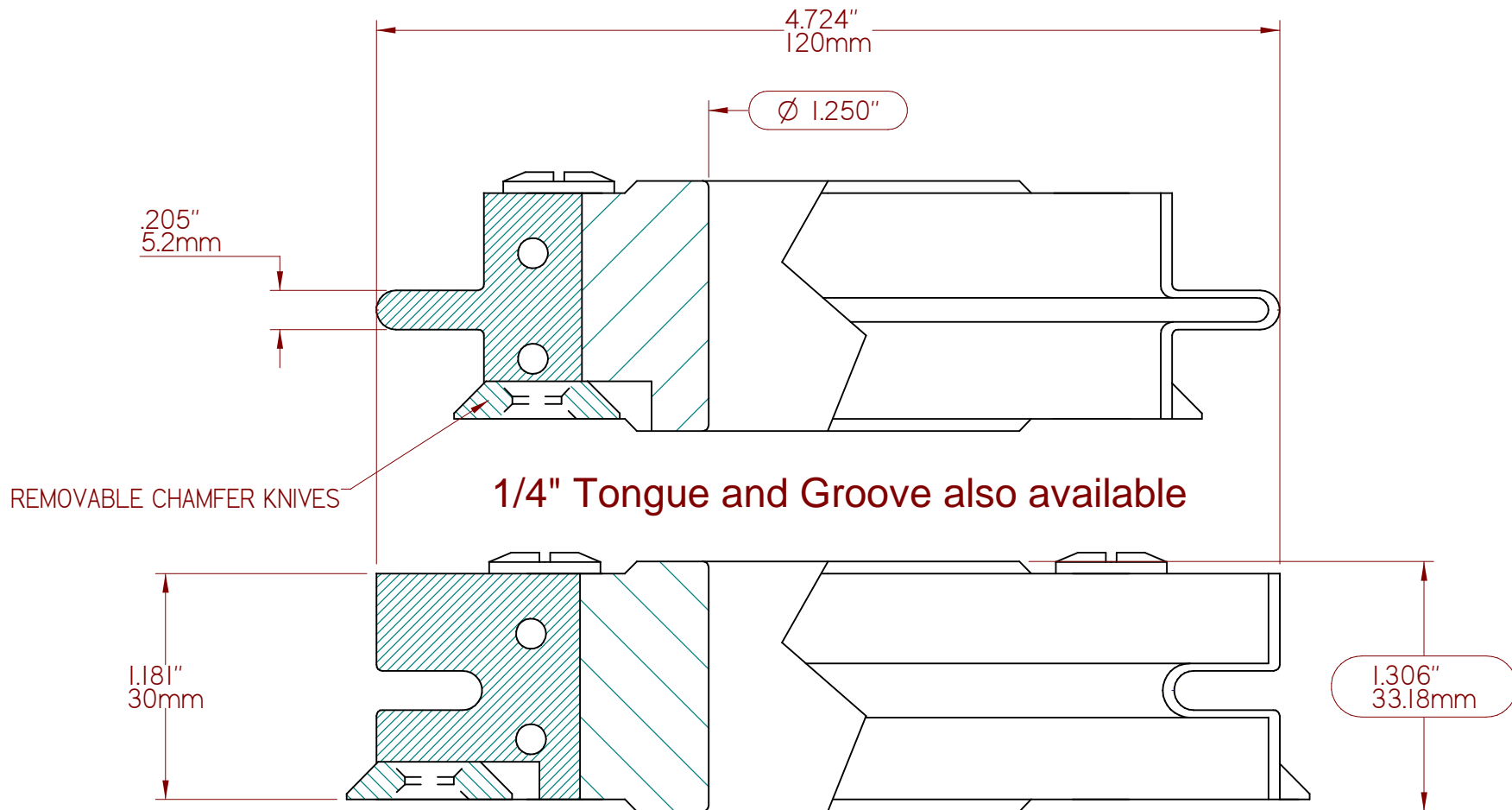
STEPPED 1/4 ROUND

STANDARD

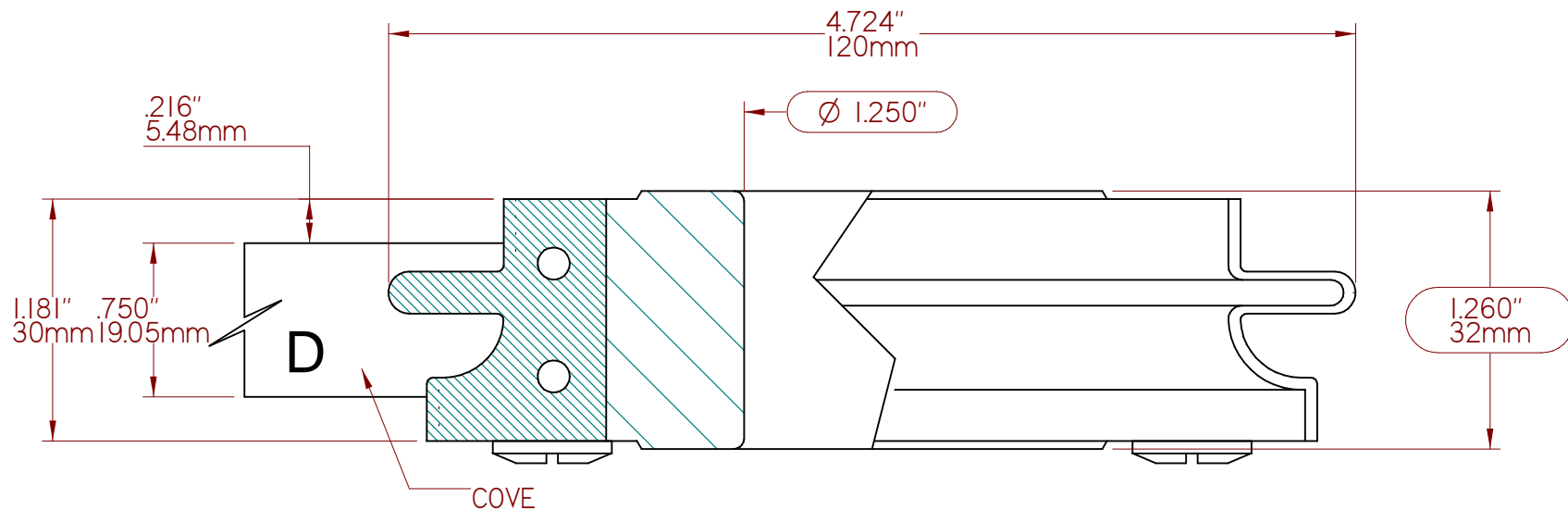
OGEE



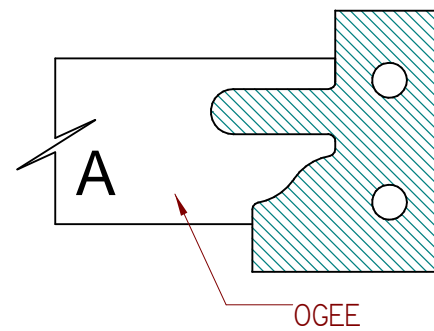
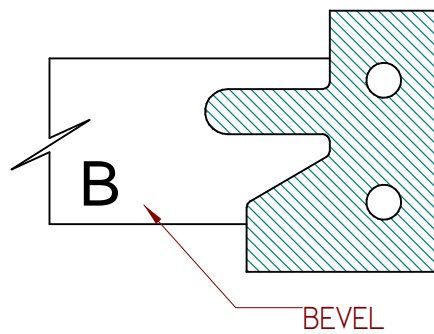
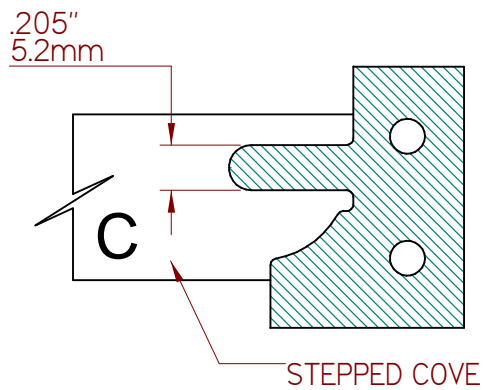
SHAKER STYLE
Removable Bevel



MULTIPROFILE (SHAKER) CUTTERHEADS
553S.120-3W / 553CS.120-4W

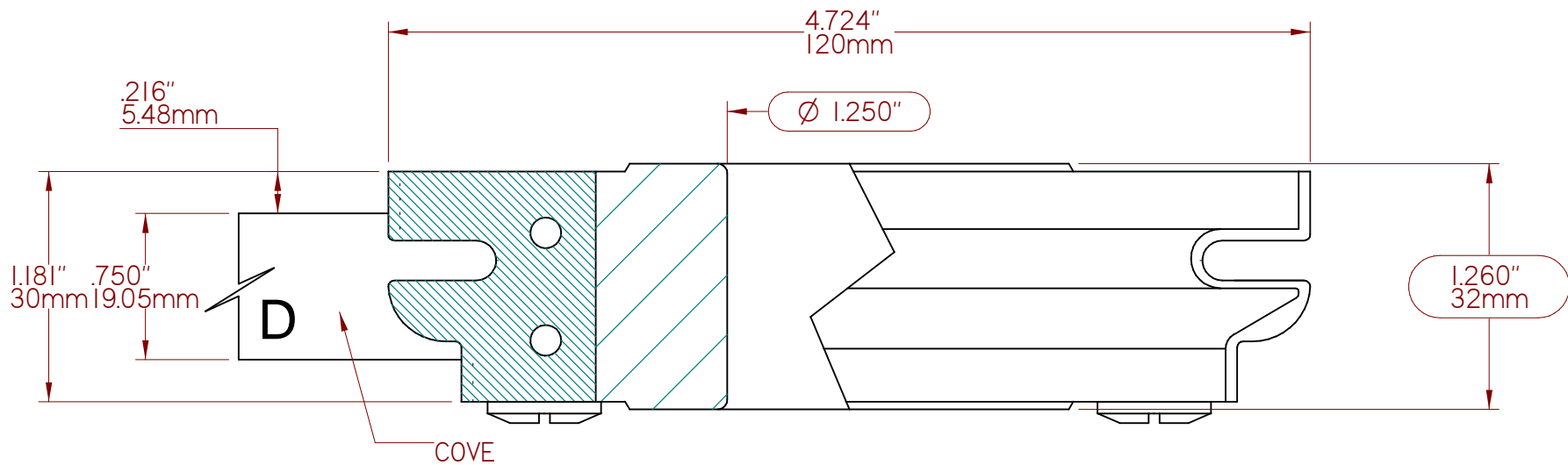


PROFILES AVAILABLE:

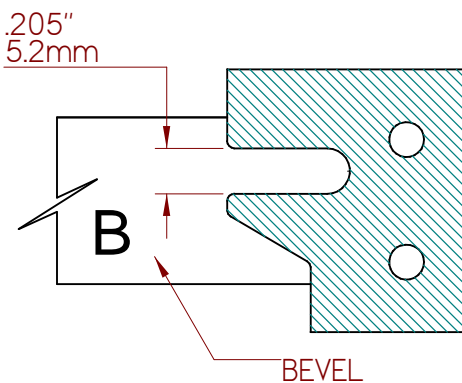
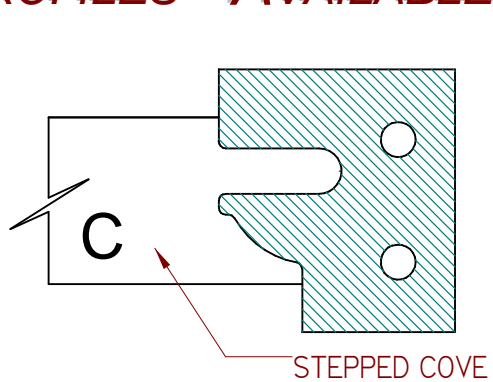


0.010" GLUE ALLOWANCE
1/32" RADII ALL CORNERS

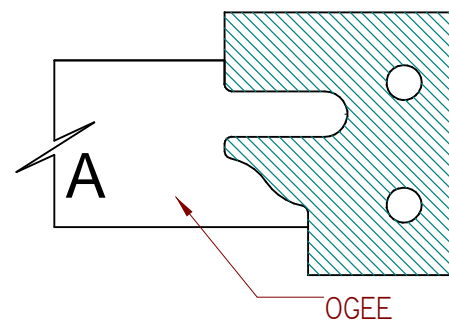
MULTIPROFILE (RAIL) CUTTERHEAD - 553P.120-3W



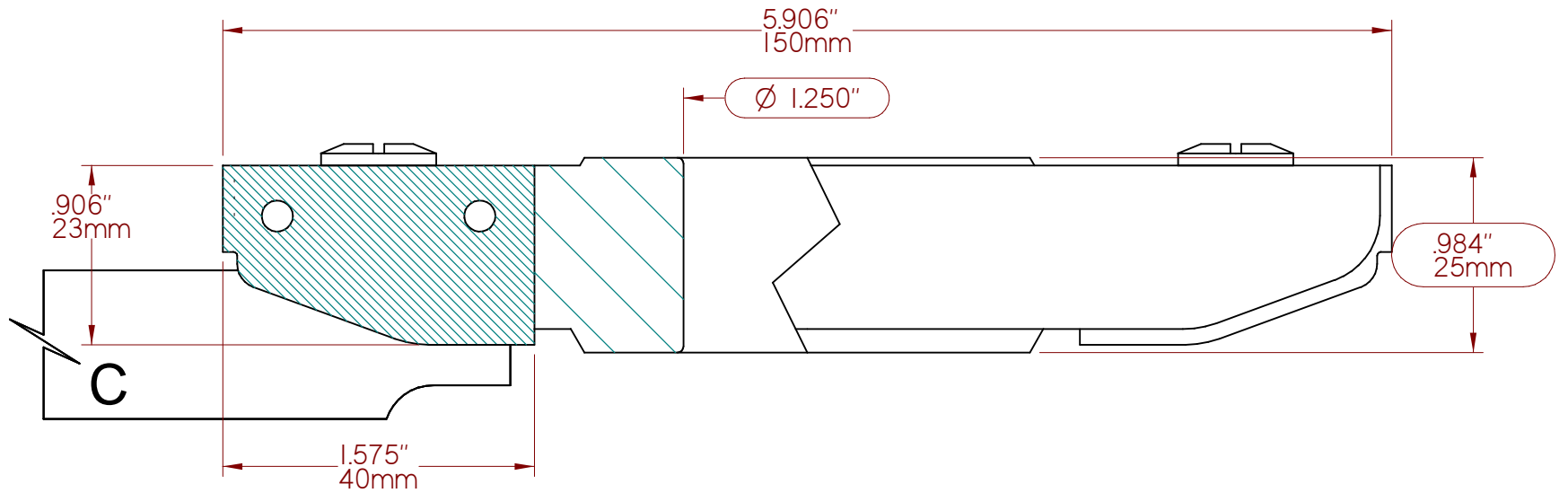
PROFILES AVAILABLE:



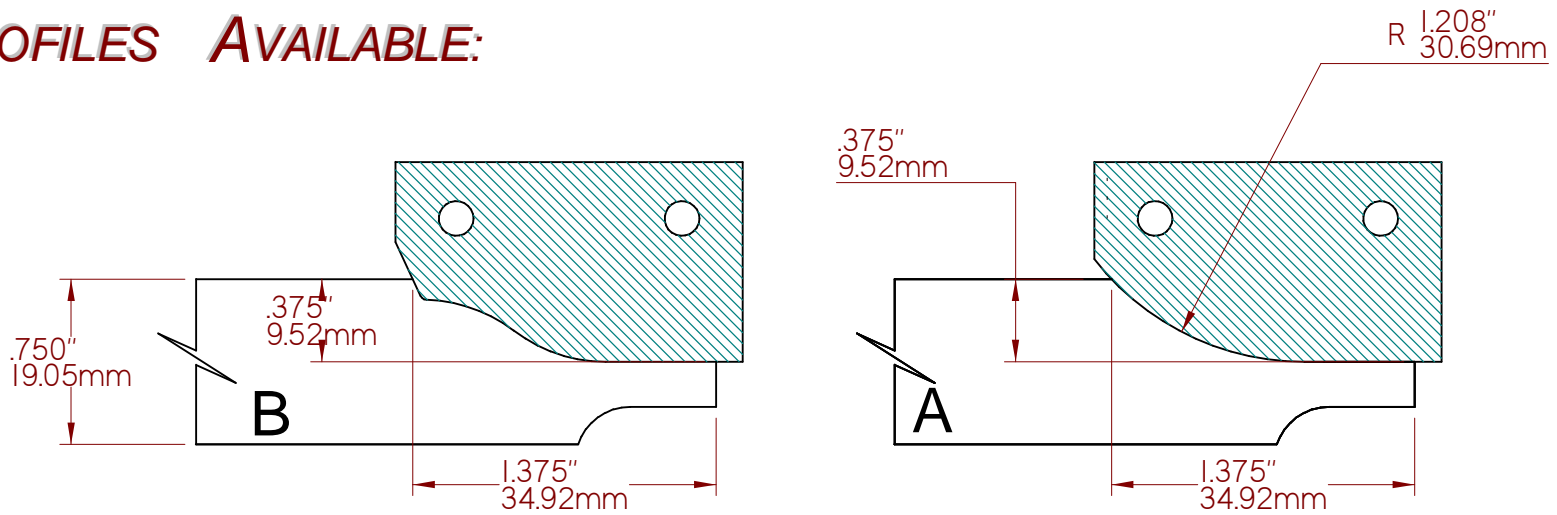
0.010" GLUE ALLOWANCE
1/32" RADII ALL CORNERS



MULTIPROFILE (COPE) CUTTERHEAD - 553CP.120-4W



PROFILES AVAILABLE:



MULTIPROFILE RAISED PANEL CUTTERHEAD - 552RP.150-3W